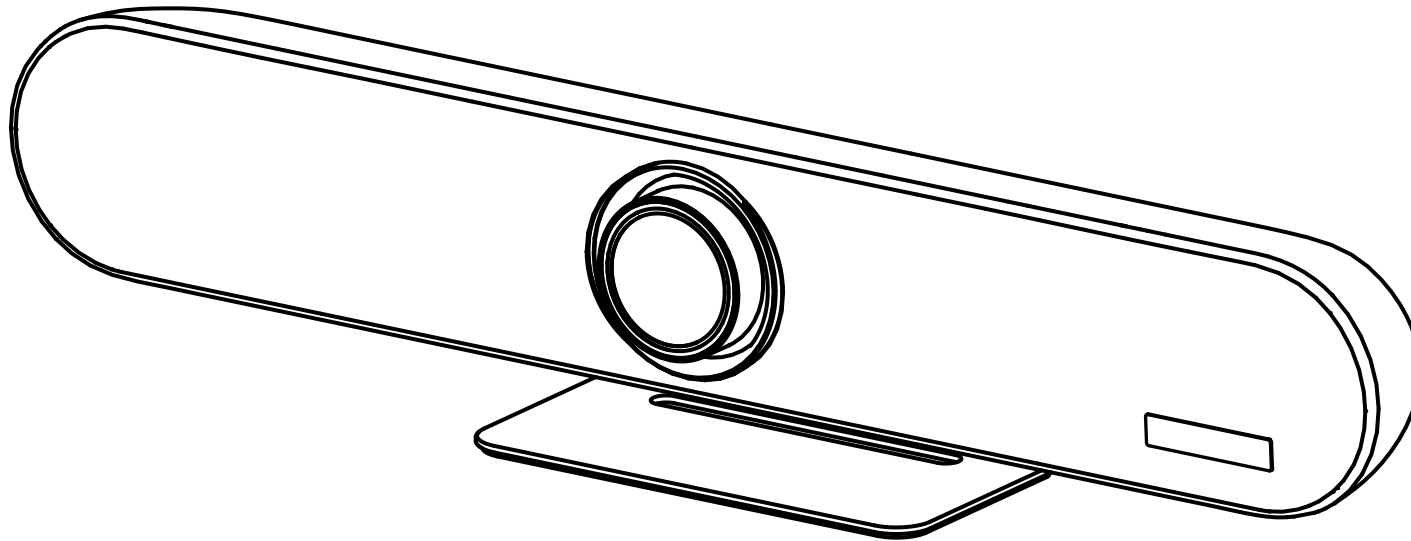


RB10

20MP UHD ALL-IN-ONE USB Video Bar



Quick Start Guide

English | Italiano | Español | Français | العربية

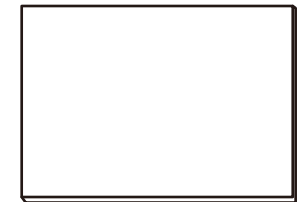
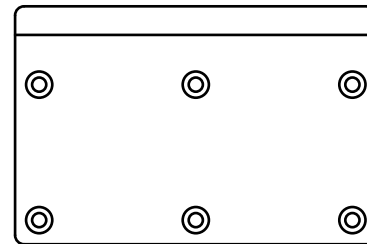
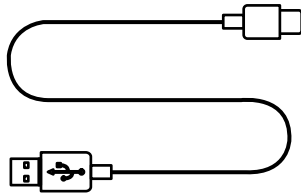
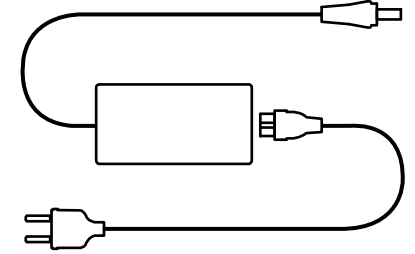
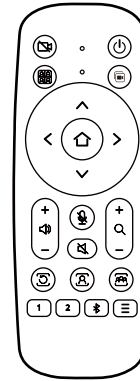
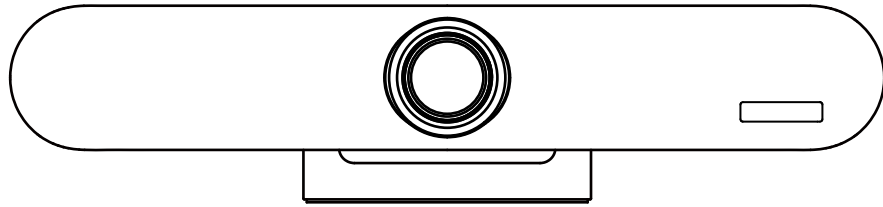
Pack List

IT: Elenco Imballaggio

ES: Lista de Embalaje

FR: Liste de Box

AR: قائمة المحتويات



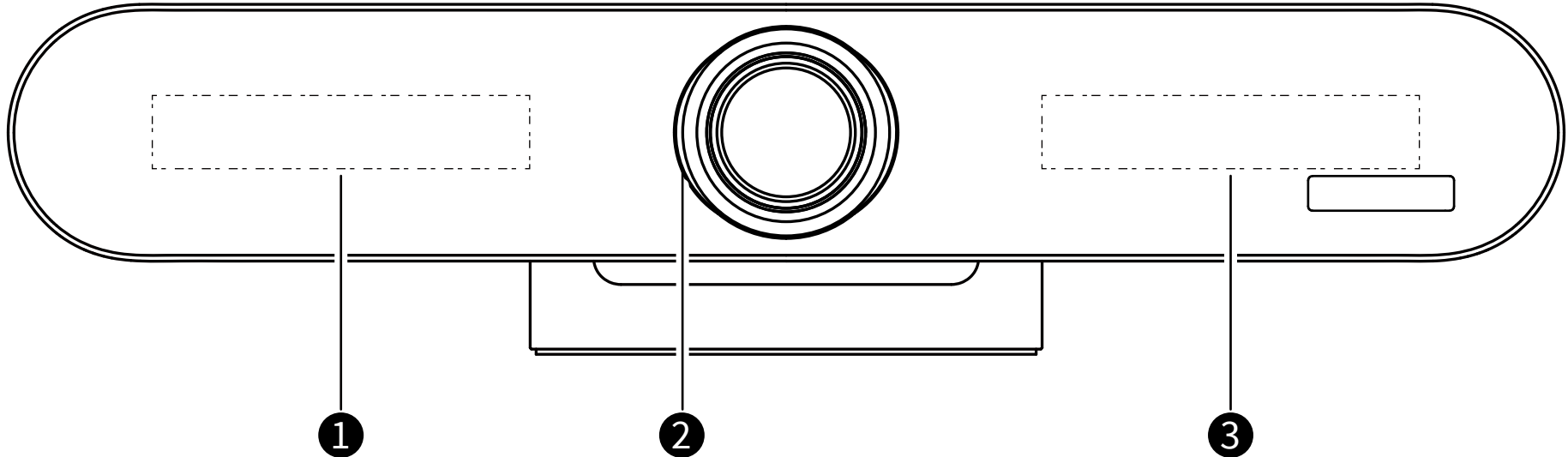
Front View

IT: Vista Frontale

ES: Vista Frontal

FR: Vue Avant

AR: يمام أضرع



1. Loudspeaker

IT: 1. Altoparlante

ES: 1. Altavoz

FR: 1. Haut-parleur

AR: 1. توص ربكم

2. Status Indicator

2. Indicatore di stato

2. Indicador de estado

2. Indicateur de statut

2. ةلاح لار شؤم

3. Microphone Array

3. Array di microfoni

3. Array de micrófonos

3. Matrice de microphones

3. تانوفوركيم ةفوفصم

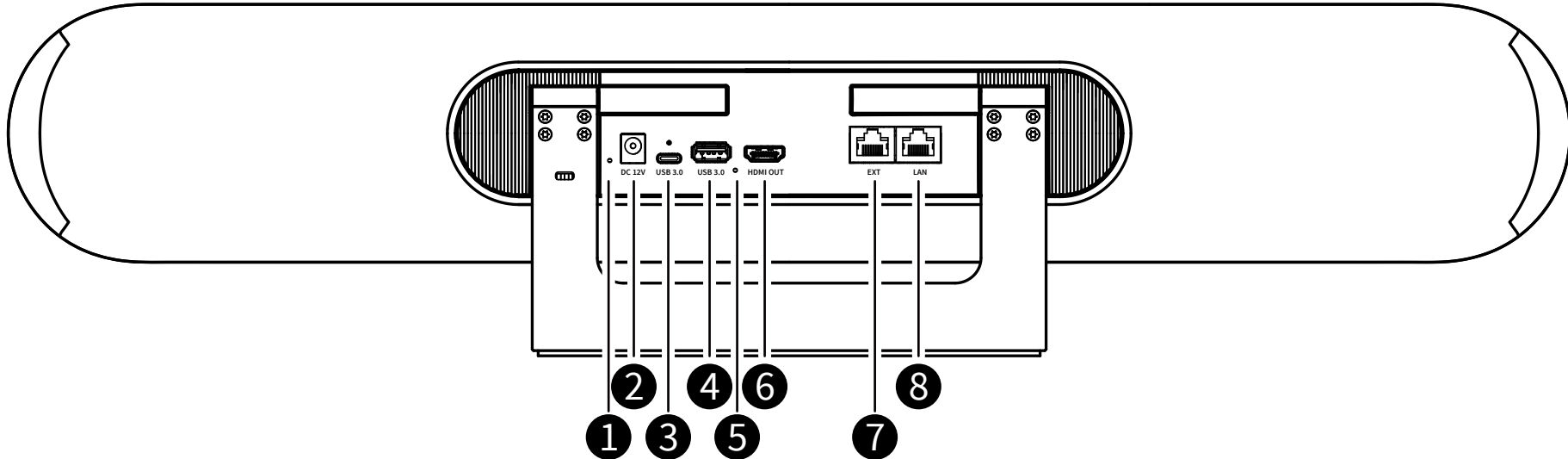
Back View

IT: Vista Posteriore

ES: Vista Posterior

FR: Vue Arrière

AR: يفلخ ضرع



1. Burning Port

2. DC 12V Interface

3. USB 3.0 Type-C Interface

4. USB 3.0 Type-A Interface

5. Reset Port

6. HDMI OUT Interface

7. EXT Interface

8. LAN Interface

IT: 1. Porta di Programmazione

2. Interfaccia DC 12V

3. Interfaccia USB 3.0 Tipo-C

4. Interfaccia USB 3.0 Tipo-A

5. Porta di Ripristino

6. Interfaccia HDMI OUT

7. Interfaccia EXT

8. Interfaccia LAN

ES: 1. Puerto de Programación

2. Interfaz DC 12V

3. Interfaz USB 3.0 Tipo-C

4. Interfaz USB 3.0 Tipo-A

5. Puerto de Reinicio

6. Interfaz HDMI OUT

7. Interfaz EXT

8. Interfaz LAN

FR: 1. Port de Programmation

2. Interface DC 12V

3. Interface USB 3.0 Type-C

4. Interface USB 3.0 Type-A

5. Port de Réinitialisation

6. Interface HDMI OUT

7. Interface EXT

8. Interface LAN

AR: 1. ءءمرب ذفنم

2. ءءمرب ذفنم

3. ءءمرب ذفنم USB 3.0 Type-C

4. ءءمرب ذفنم USB 3.0 Type-A

5. نبيعت ءءاع ذفنم

6. ءءمرب ذفنم HDMI OUT

7. ءءمرب ذفنم EXT

8. ءءمرب ذفنم LAN

Dimension

IT: Dimensioni

ES: Dimensiones

FR: Dimensions

AR: دابع أواع

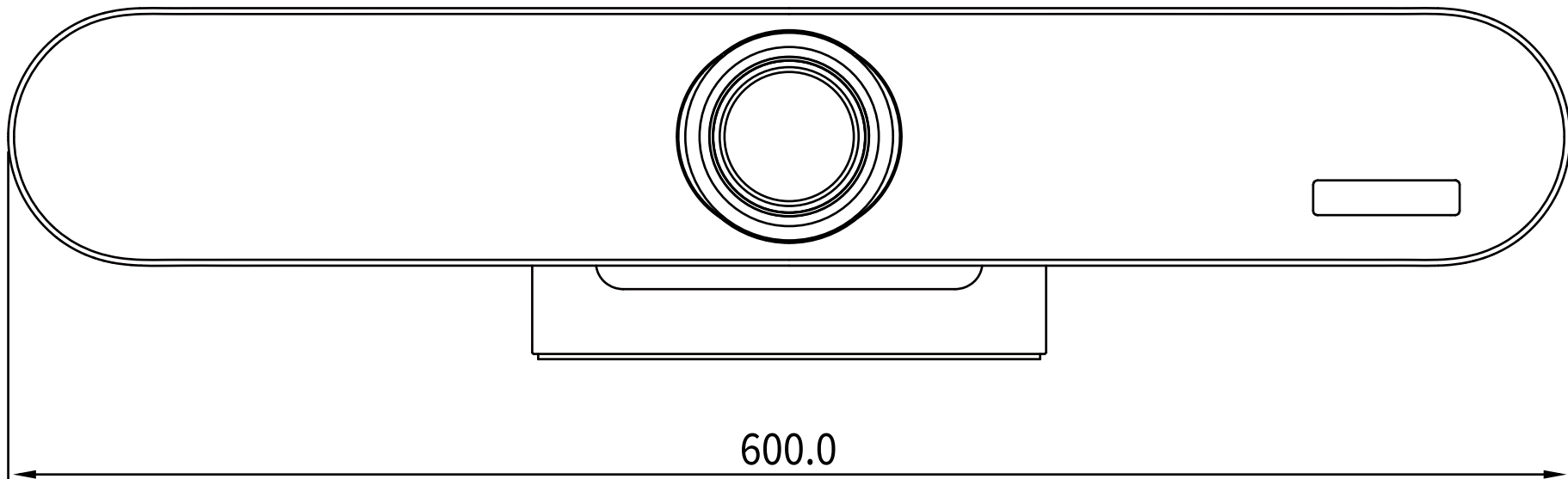
Unit: mm

IT: Unità: mm

ES: Unidad: mm

FR: Unité : mm

AR: مم: ةدحو



Dimension

IT: Dimensioni

ES: Dimensiones

FR: Dimensions

AR: دابع أواع

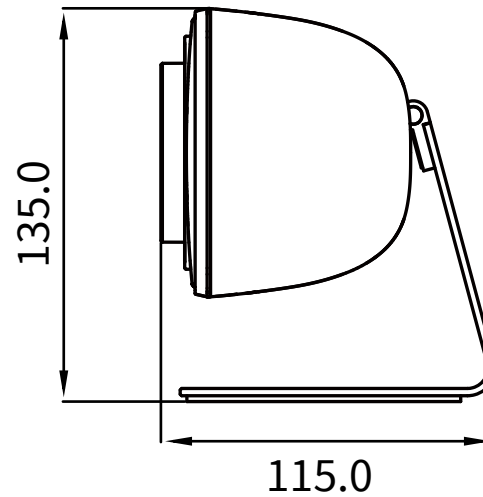
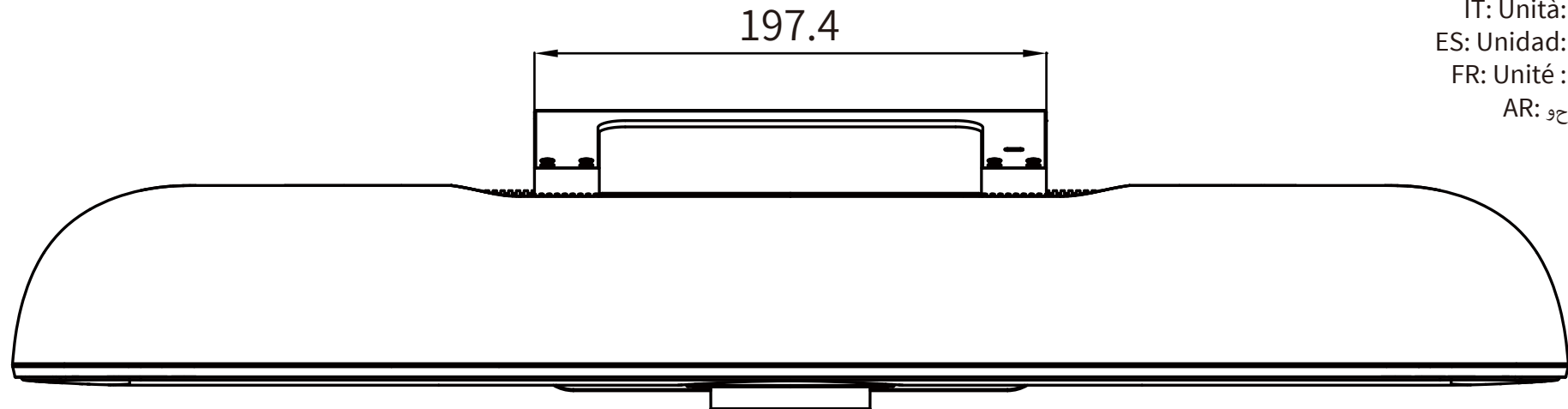
Unit: mm

IT: Unità: mm

ES: Unidad: mm

FR: Unité : mm

AR: مة: ددحو



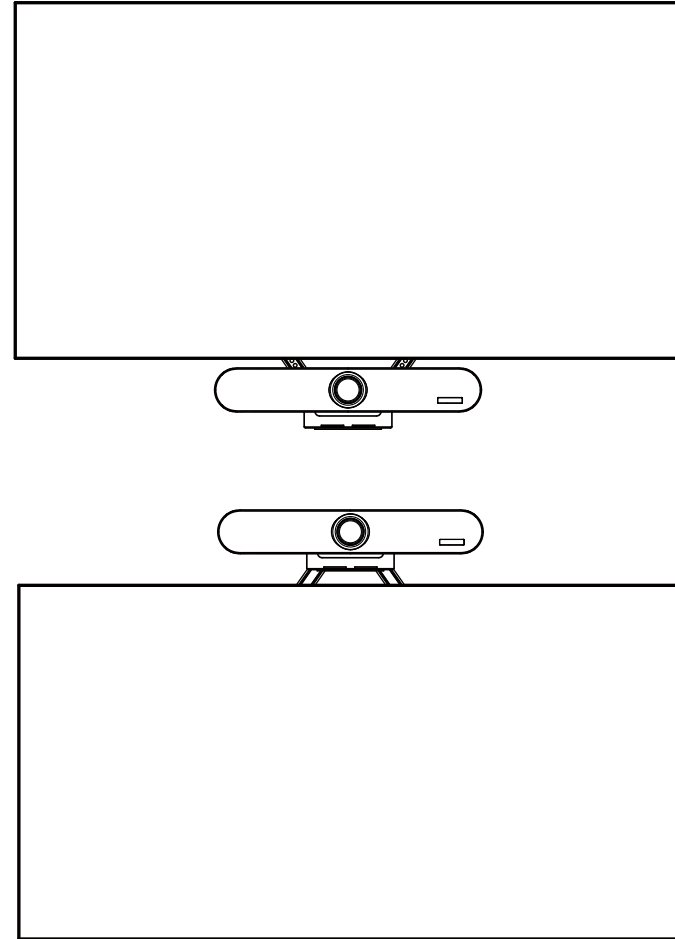
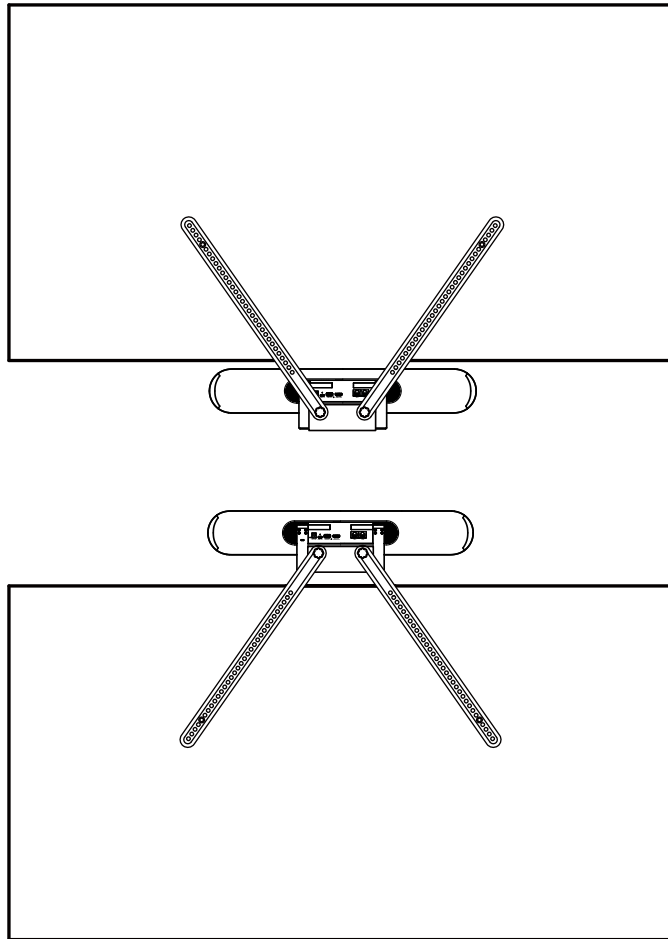
Monitor Mount

IT: Supporto per Monitor

ES: Montaje para Monitor

FR: Support de Moniteur

AR: دةشاش لال ل ماح



* Monitor bracket not included

IT: Supporto per monitor non incluso

ES: Soporte para monitor no incluido

FR: Support de moniteur non inclus

AR: جردم ريغ دةشاش لال ل ماح لال

Wall Mount

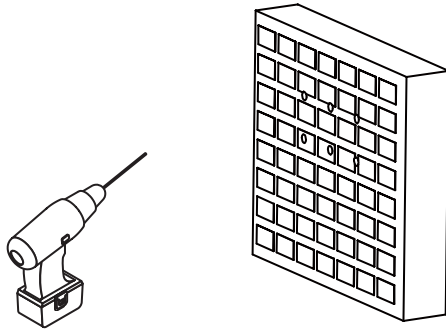
IT: Montaggio Parete

ES: Instalación de Pared

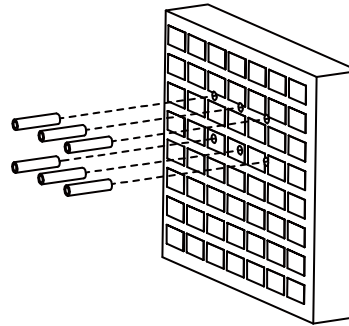
FR: Le Chargement de Paroi

AR: طئاحلا ىلع بىكرت

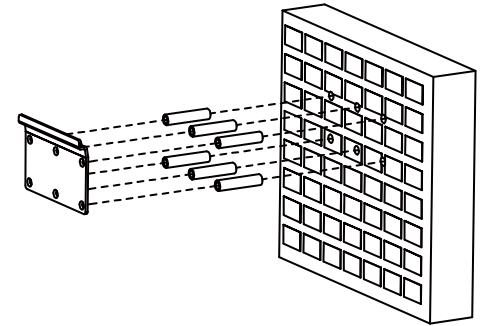
1



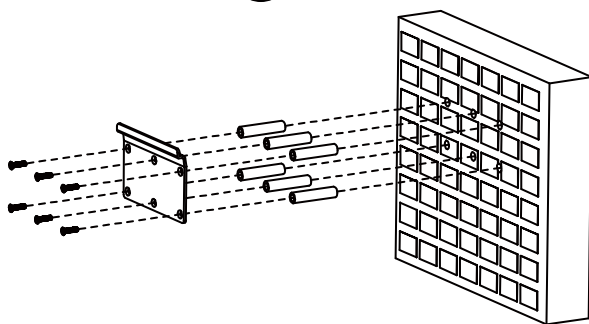
2



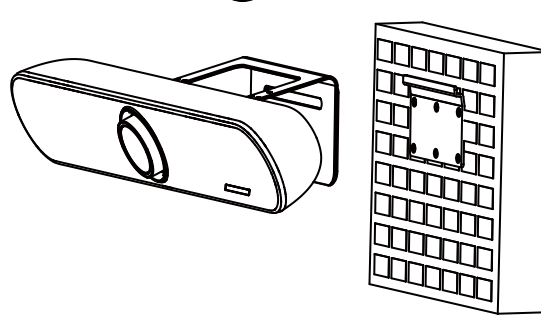
3



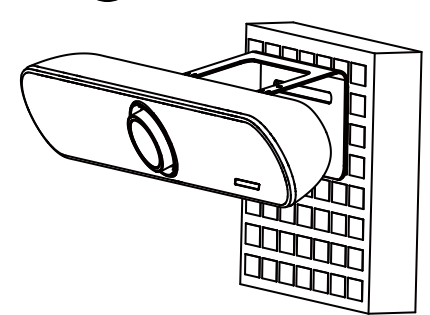
4



5



6



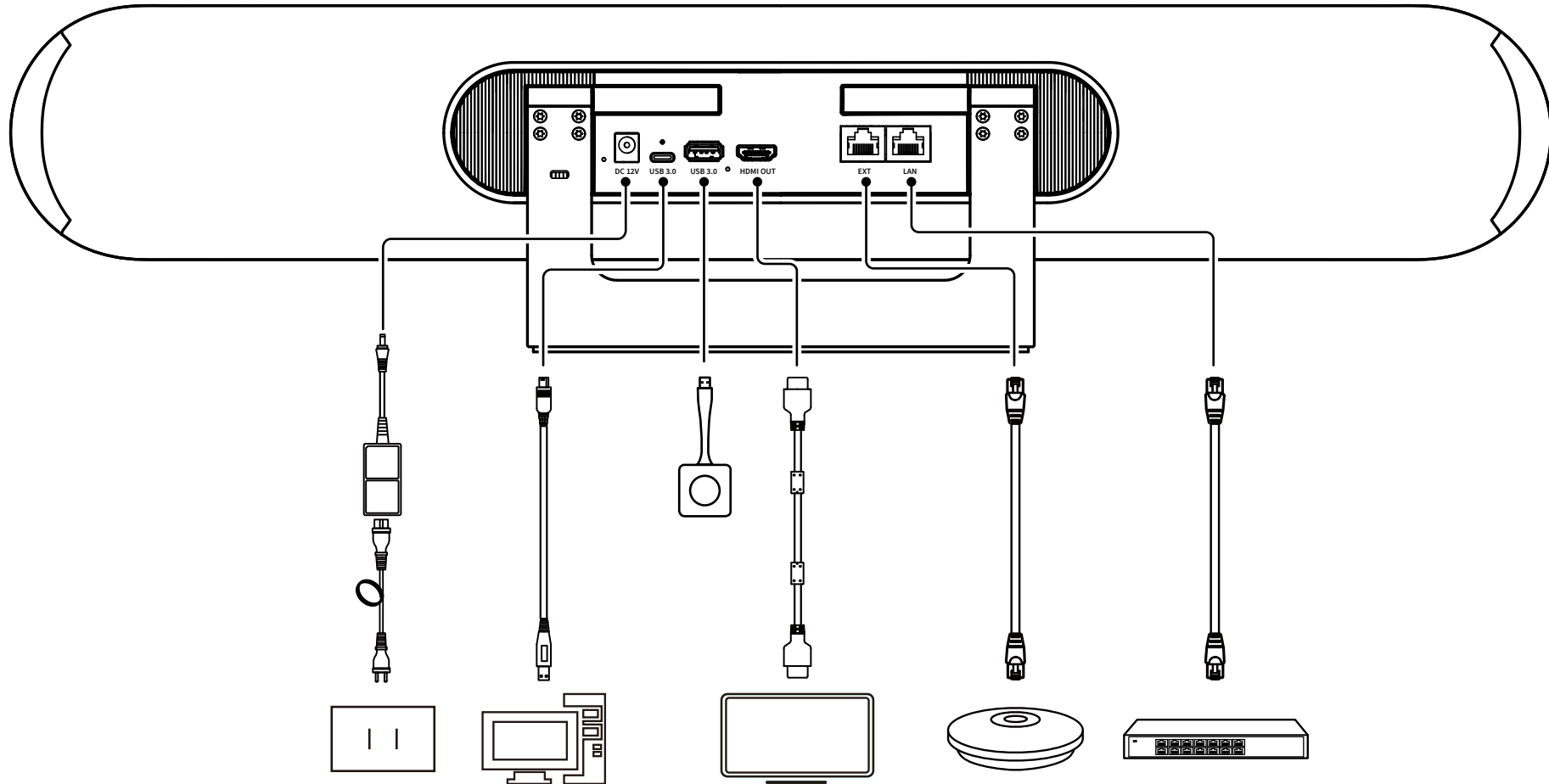
Cabling

IT: Cablaggio

ES: Cableado

FR: Câblage

AR: لباوكل دي دمت



Note

The recommended horizontal cascade distance is 3 meters, and the maximum number of cascades is 3. (Reserved, supported after future software upgrades).

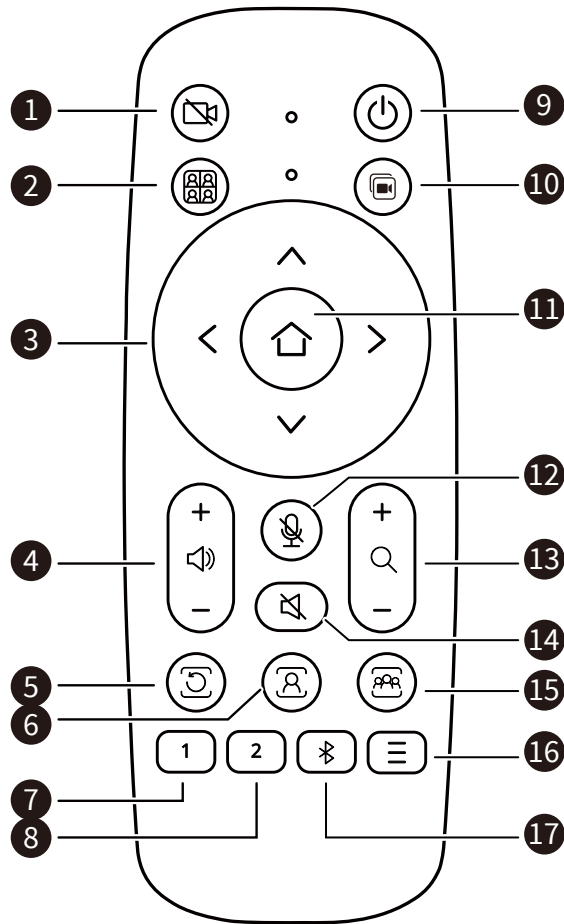
Remote Control

IT: Telecomando

ES: Control remoto

FR: Télécommande

AR: دعب ن ع مكحتلا زاھج



No.	Name	Description
1	Camera On/Off Key	Turn On/Off the Camera
2	Smart Gallery Key	Press to turn on the Smart Gallery function
3	Direction Keys	<ul style="list-style-type: none"> ● Menu Mode: Press to select and set the Menu ● Non Menu Mode: Press to move the Camera to Up/Down/Left/Right direction
4	Volume +/- Keys	Press to increase or decrease the volume
5	Exit Key	<ul style="list-style-type: none"> ● Menu Mode: Press to return to the previous menu ● Non Menu Mode: Press to exit the AI mode
6	Speaker Track Key	Press to turn on the Speaker Track function
7	Preset 1 Key	Long press to set preset 1; Short press to call preset 1
8	Preset 2 Key	Long press to set preset 2; Short press to call preset 2
9	Standby Key	Short press to enter/exit the standby mode
10	Smart Fusion Key	Press to turn on the Smart Fusion function (Reserved, supported after future software upgrades)
11	OK Key	<ul style="list-style-type: none"> ● Menu Mode: Confirm selection ● Non Menu Mode: Press to turn the camera back to the HOME position
12	Microphone Mute Key	Turn on/off the Microphone
13	Zoom Keys	Zoom in [+]; Zoom out [-]
14	Speaker Mute Key	Turn on/off the Speaker
15	Auto Frame Key	Press to turn on the Auto Frame function
16	Menu Key	Press to enter or exit the OSD menu
17	Bluetooth Key	Enable/Disable the Bluetooth function (Reserved, supported after future software upgrades)

Warranty & Copyright

IT: Garanzia e Copyright

ES: Garantía y Derechos de Autor

FR: Garantie et Droit d'Auteur

AR: رشن ل نامض ل قوق ح و نامض ل

EN: If failure caused by non-human causes occurs within three years from the product's purchase date, you may enjoy the warranty service of the product.

Copyright © ROCWARE 2024. All rights reserved.

IT: Se si verifica un guasto causato da cause non umane entro tre anni dalla data di acquisto del prodotto, è possibile usufruire del servizio di garanzia del prodotto.

Copyright © ROCWARE 2024. Tutti i diritti riservati.

ES: Si una falla causada por causas no humanas ocurre dentro de tres años desde la fecha de compra del producto, puede disfrutar del servicio de garantía del producto.

Derechos de autor © ROCWARE 2024. Todos los derechos reservados.

FR: Si une défaillance due à des causes non humaines survient dans les trois ans suivant la date d'achat du produit, vous pouvez bénéficier du service de garantie du produit.

Copyright © ROCWARE 2024. Tous droits réservés.

AR: جت نمل نامض لة مدخ نم ةدافت سالال كنكمي، جت نمل لء ارش خيرات نم تاونس ثالث لالخ ةي رشب ريغ باب س أب بسب ل طع ثدح اذإ رشن ل او عبطل قوق ح. © ROCWARE 2024. ةظوف ح م قوق ح ل ا عي م ج.

COMREON[®] DISTRIBUTION

ROCWARE[®]

www.comreon.de

Rocware Corporation

1773 West San Bernardino Road, Unit E72,
West Covina, CA 91790, USA
www.rocware.com



User Manual

Part No.
079.79.11010184_V1.0