

COMREON®

ROCWARE
DISTRIBUTION

RC90 UHD 4K PTZ Camera



Equipped with NDI|HX 2 function, RC90 provides a flexible and wide range of applications through a single IP cable, and transmits various video and audio signals with low latency to simplify the workflow. AI tracking is enable to subtly capture speakers based on their movements. With 20x optical zoom and 4K resolution, combined with AI tracking and smooth PTZ functions, it is used for live events, auditorium lectures, sports and gaming competitions, online and distance learning courses, multinational conferences, personnel training courses, live streaming and other application scenarios. Enjoy efficient and simple setup and create comprehensive NDI-based compositions.

Main Features

4K Ultra HD

The new generation of Sony 1 / 1.8-inch high quality UHD CMOS sensor with a maximum of 8.42 million pixels can realize 4K (3840x2160) ultra high resolution high-quality images. And downward compatible with 1080p, 720p and other resolutions.



20x optical zoom

It adopts 4K ultra long focal lens with high quality and 8 million ultra-high resolution, 20 times optical zoom, and the maximum field angle is 60 °.



HDMI2.0

Support hdmi 2.0 interface, which can directly output 4kp60 uncompressed digital video.



Rich and perfect interfaces

Support hdmi 2.0 HD output, equipped with 3G-SDI interface, with an effective transmission distance of up to 150m (1080p30). HDMI or 3G-SDI, USB and LAN can output 3 HD digital signals at the same time.



AI tracking

With the help of the AI computing power of the chip, the monocular human shape tracking based on advanced AI algorithm, combined with convenient tracking settings, can be used in a variety of scenes such as education, conference and live broadcast to realize the intelligent guide function.



Low Illumination

New CMOS image sensor with ultra-high SNR can effectively reduce the image noise under low illumination. Meanwhile, the application of 2D and 3D noise reduction algorithms dramatically reduces image noise. The image maintains clean and clear even under ultra-low light illumination. The SNR of the image is as high as 55dB or above.



NDI|HX2

NDI|HX2 has the characteristics of low delay and plug and play, which is convenient for project implementation and deployment. It has a good ecology and supports the simultaneous transmission of audio, video and control commands. It is a new generation of network video transmission mode.

NDI® | HX2

Gravity sensor

It supports the automatic image flipping function, which is convenient for engineering installation and use.

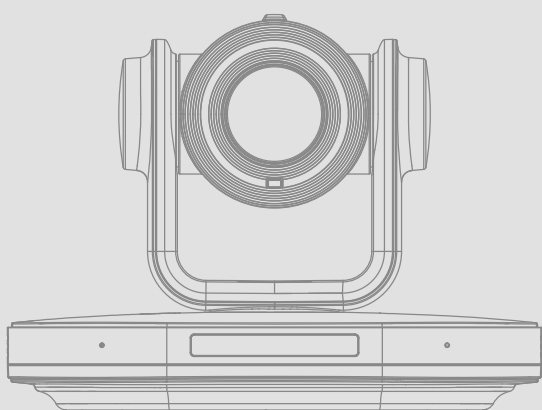


Remote control

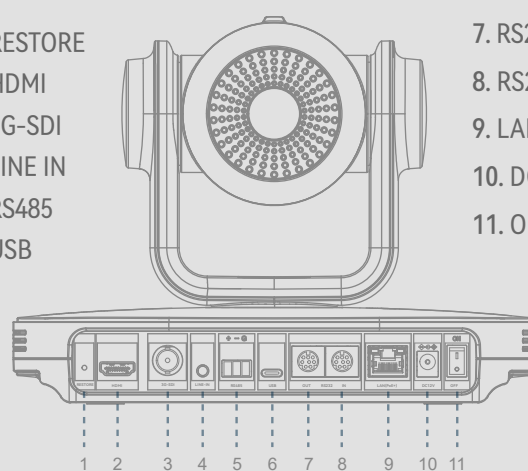
Multiple control modes, RS232, RS485, network and USB can be used to control the camera.



Product Interface



1. RESTORE
2. HDMI
3. 3G-SDI
4. LINE IN
5. RS485
6. USB



7. RS232 OUT
8. RS232 IN
9. LAN(PoE+)
10. DC 12V
11. ON/OFF

Remote Control

1.(Standby) Key

Press to enter standby mode. Press again to resume to normal mode.

2.Numeric Key: To set preset or call preset.

3.* Key: Use with other keys.

4.PRESET Key

Set preset: Store a preset position.
[PRESET] + Numeric key (0-9): Set the preset position.

5.HOME Key

Confirm selection or press to turn the lens back to the middle position.

6.(Return) Key: Press to return to the previous menu.

7.ZOOM Key

8.L/R SET Key

9.FOCUS Key

Press [AUTO] to adjust the focus automatically.
Press [MANUAL] to adjust the focus manually.
When in manual focus mode, press [FAR] to focus on far object or [NEAR] to focus on near object.



10.CAMERA SELECT Key

Press the button corresponding to the camera you want to operate with the remote controller.

11.# Key

Use with other buttons.

12.Auto Tracking Key

[F1]: Not enabled
[F2]: Not enabled
[F3]: Start AI Intelligent Tracking
[F4]: Stop AI Intelligent Tracking

14.PTZ Control Key

After zooming, press arrow button to perform panning and tilting. Press [HOME] button to face the camera back to front.

15.MENU Key

Enter or exit OSD MENU.

16.BACKLIGHT Key

Backlight ON/OFF: Press repeatedly to enable or disable the backlight compensation.

17.P/T RST (PTZ Reset) Key

Product Specifications

Camera	
Video System	HDMI: 4KP25, 4KP30, 4KP50, 4KP60, 4KP59.94, 4KP29.97, 1080P25, 1080P30, 1080P50, 1080P60, 1080P59.94, 1080P29.97, 1080I50, 1080I60, 1080I59.94, 720P50, 720P59.94, 720P60 3G-SDI: 1080P25, 1080P30, 1080P50, 1080P60, 1080P59.94, 1080P29.97, 1080I50, 1080I60, 1080I59.94, 720P50, 720P59.94, 720P60
Sensor	1/1.8 inch, CMOS, Max Effective Pixel: 8.42M
Scanning Mode	Progressive
Lens	20x, f = 6.25mm ~ 125mm, F1.58 ~ F3.95
Digital Zoom	16x
Minimal Illumination	0.5Lux @ (F1.8, AGC ON)
Shutter	1/30s ~ 1/10000s
White Balance	Auto, Indoor, Outdoor, One Push, Manual
Backlight Compensation	Support
Digital Noise Reduction	3D Digital Noise Reduction
Signal Noise Ratio	≥55dB
Horizontal Angle of View	60° ~ 3.5°
Vertical Angle of View	35.7° ~ 2.0°
Horizontal Rotation Range	±162.5°
Vertical Rotation Range	-30° ~ +90°
Pan Speed Range	1.8°/s ~ 80.5°/s
Vertical Rotation Speed Range	1.5°/s ~ 49°/s
H & V Flip	Support
Image Freeze/PO	Support
Number of Preset	255
Preset Accuracy	0.1°
USB Features	
Video System	Windows 7, Windows 8, Windows 10, Mac OS X, Linux, Android
Color System / Compression	YUY2 / MJPEG / H.264 / H.265
USB Audio	Support
Video Format	YUY2: max to 1080P@30fps H.264 AVC/SVC: max to 2160P@30fps H.265 SVC: max to 2160P@30fps MJPEG: max to 2160P@30fps
USB Video Communication Protocol	UVC 1.1~1.5
UVC PTZ	Support

Interface/Indicator	
LINE IN Interface	1 x LINE IN: 3.5mm Audio Interface
Communication Interface	1 x RS485: 3pin phoenix port, Max Distance: 1200m, Protocol: VISCA / Pelco-D / Pelco-P
	1 x RS232 OUT: 8pin Min DIN, Max Distance: 30m, Protocol: VISCA network use only
	1 x RS232 IN: 8pin Min DIN, Max Distance: 30m, Protocol: VISCA / Pelco-D / Pelco-P
HDMI Interface	1 x HDMI: Version 2.0
LAN(PoE+) Interface	1 x RJ45: 10/100/1000M, Adaptive Ethernet Port. It supports PoE+
USB Interface	1 x USB 2.0: Type-C
3G-SDI Interface	1 x 3G-SDI: BNC type, 800mVp-p, 75Ω. Along to SMPTE 424M standard
Restore Button	1 x Restore Button
Power Jack	JEITA type (DC IN 12V)
Tally Indicator	1 x Tally Indicator
Power Indicator	1 x Power Indicator
Status Indicator	1 x Status Indicator
Display Screen	1 x Display Screen
Power Switch	1 x Power Switch
Network Features	
Video Compression	H.264 / H.265 / MJPEG
Video Stream	First Stream, Second Stream
First Stream Resolution	3840x2160, 1920x1080, 1280x720, etc.
Sub Stream Resolution	720x480, 720x408, 640x480, 640x360, etc.
Bit Rate Control	CBR, VBR
Frame Rate	50Hz: 1fps ~ 50fps, 60Hz: 1fps ~ 60fps
Audio Compression	G711A, AAC
Audio Bit Rate	96Kbps, 128Kbps
Support protocols	NDI®/HX, TCP/IP, HTTP, RTSP, RTMP(S), ONVIF, DHCP, SRT, Multicast, etc.

COMREON®
ROCWARE

DISTRIBUTION

